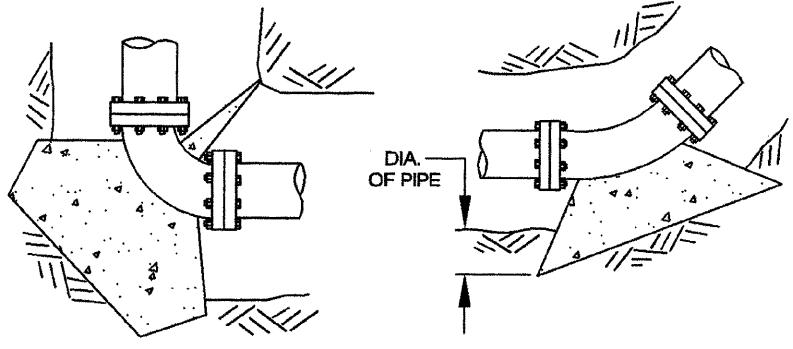
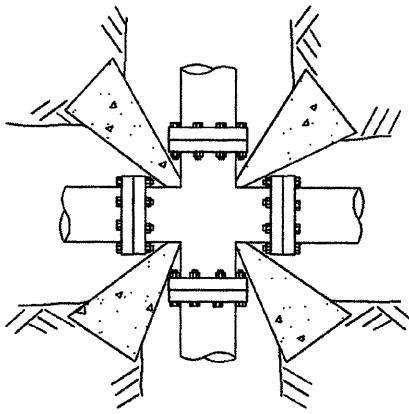


TEE

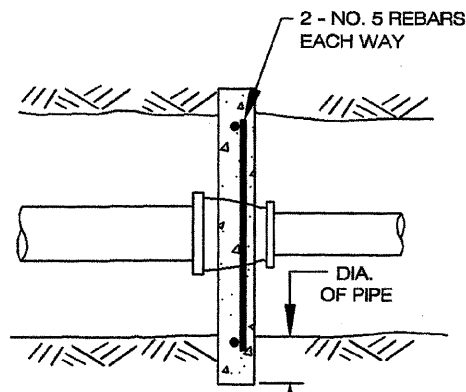
DIA. OF PIPE



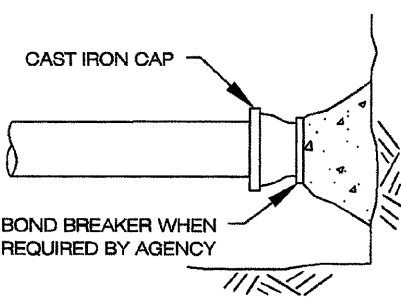
HOR. OR VER. BENDS



CROSS BLOCKING

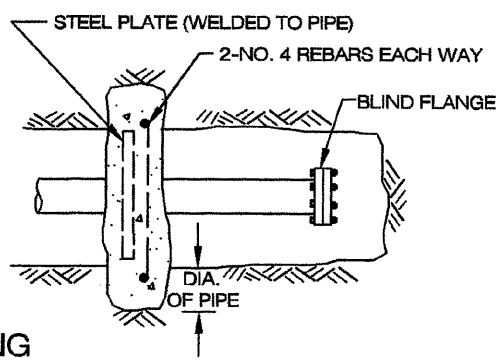


REDUCER



PVC PIPE ELEVATION

DEAD END BLOCKING



STEEL PIPE PLAN

- NOTES:
1. CONC. SHALL BE 470-C-2000
 2. SEE STD. DWG. 5-8 FOR BEARING AREAS
 3. BEARING AREAS TO BE FLAT AND CORNERS SQUARE.

REVISIONS	APPROVED	DATE	VISTA IRRIGATION DISTRICT	PATH: (TOM) H:\STDDWGS\5-7.DWG
			<p>CONCRETE THRUST BLOCKS</p>	JOHN AMODEO R. C. E. 31161
				DATE
ACAD		6/96		STANDARD DRAWING 5-7